




**Queensland
Hydraulics** Pty Ltd



“SUCCESS THROUGH QUALITY”



**SERIES A2000 / A3000
STAINLESS STEEL
HYDRAULIC CYLINDERS**

**MANUFACTURED TO
A.S.A.E. STANDARD**

- ④ Standard bore size
 - ④ Standard rod size
 - ④ Maximum length (6 metres)
 - ④ Ceramic coated rod option
 - ④ Factory tested
 - ④ Factory installed cartridge valves
- Maximum operating pressures
- A2000 up to 14MPa (2000psi)
 - A3000 up to 21MPa (3000psi)



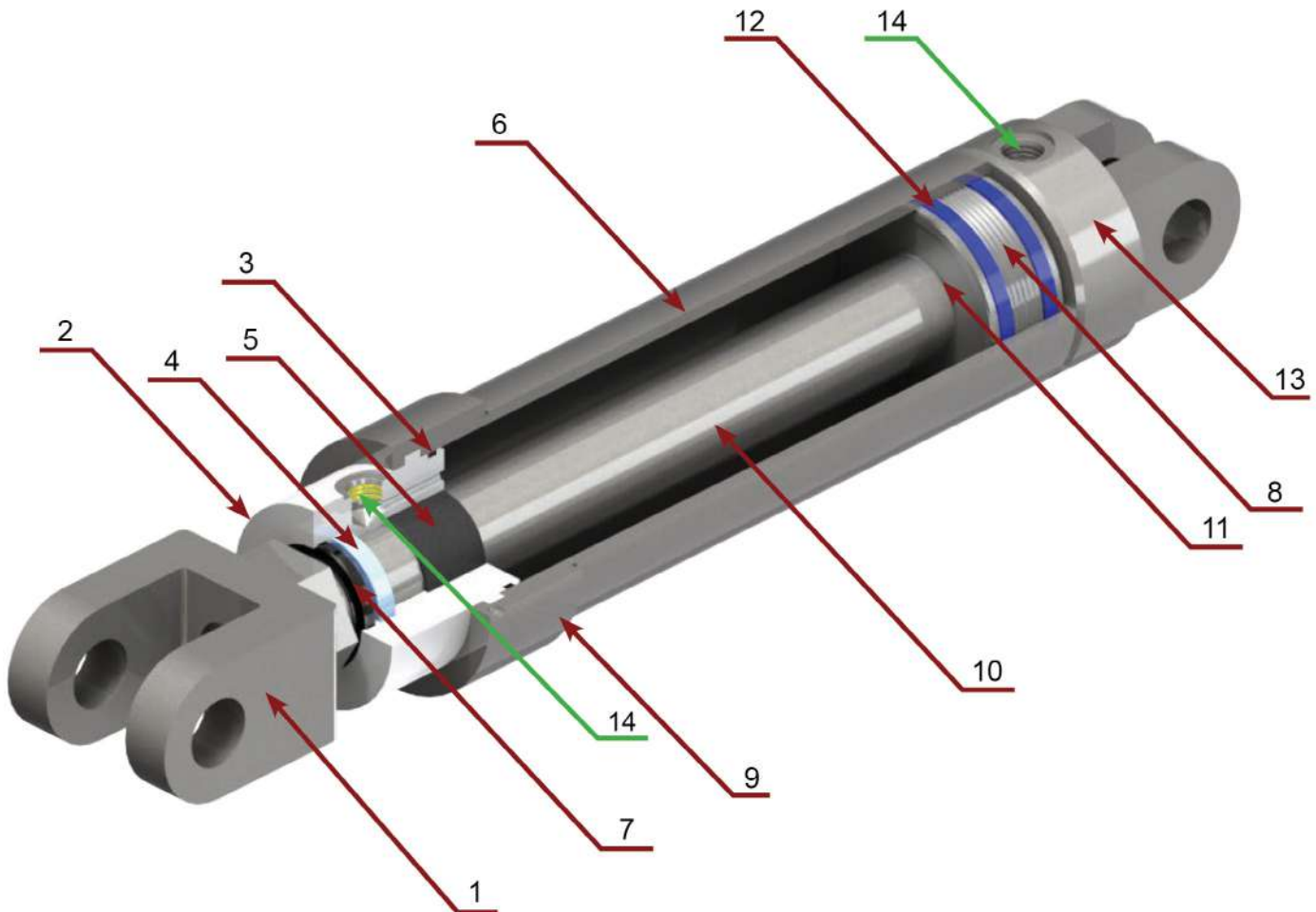
Building C Phoenix Estate 210 Evans Rd
Salisbury QLD 4107

P: (07) 3276 7533

E: admin@hydraulics.net.au

www.hydraulics.net.au

CYLINDER FEATURES



ITEM	DESCRIPTION	MATERIAL
1	Clevis	Stainless Steel
2	Gland	Stainless Steel
3	"O" Ring Seal	Nitrile
4	Rod Seal	Nitrile
5	Gland Bearing	Acm L7 Compound
6	Barrel	Stainless Steel
7	Rod Wiper	Synthetic
8	Piston	Stainless Steel
9	Retainer	Stainless Steel
10	Piston Rod	Stainless Steel
11	"O" Ring Seal	Nitrile
12	Piston Seal	Nitrile Rubber + Acetal
13	End Cap	Stainless Steel
14	Ports Machined Into End Caps	
No Dissimilar Metals		

Seal Kits

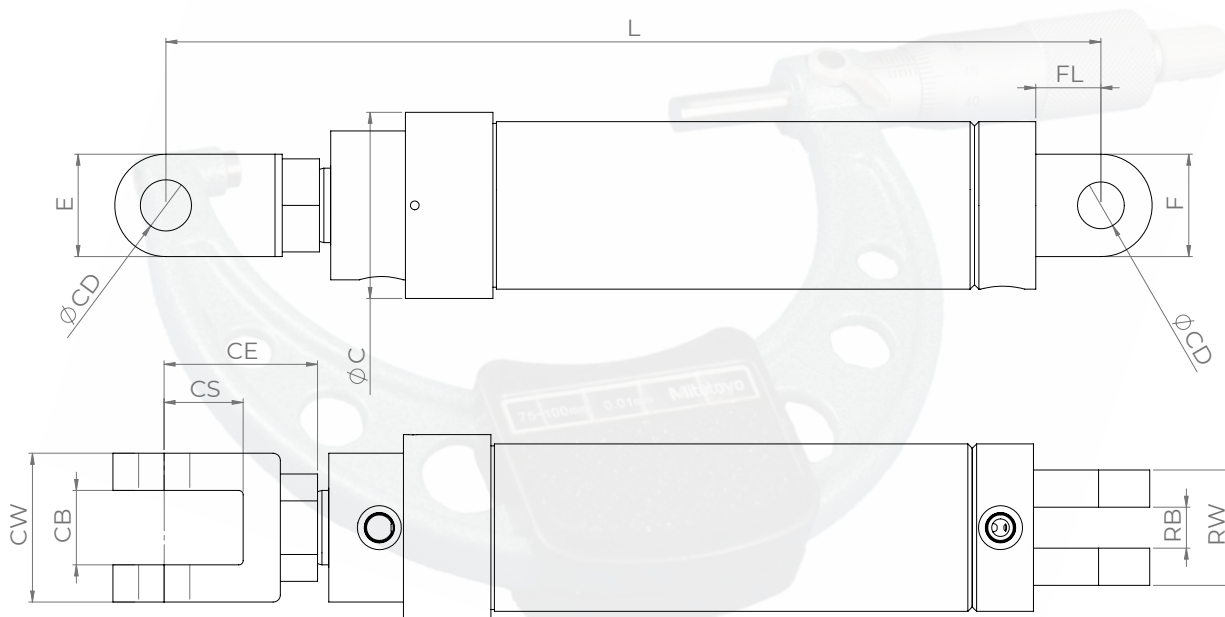
CYLINDER SIZE	PART NUMBER
2.0" X 1.125"	SKA -2000-200-1125-SS
2.5" X 1.25"	SKA -2000-250-125-SS
2.5" X 1.5"	SKA -2000-250-150-SS
3.0" X 1.5"	SKA -2000-300-150-SS
3.5" X 1.5"	SKA -2000-350-150-SS
4.0" X 1.75"	SKA -2000-400-175-SS



E: admin@hydraulics.net.au www.hydraulics.net.au

CYLINDER DIMENSIONS

Ver 2.0



Cylinder Size Ø Bore X Ø Rod	Stroke	L Closed Centers	Ø C mm	CB mm	Ø CD mm	CE mm	CS mm	CW mm	E mm	F mm	FL mm	RB mm	RW mm	Port Size*
2.0" X 1.125"	6"	18.25*	70	28.58	25.48	82.5	51	68	51	50.8	48	28	60	3/4" UNO
	8"	20.25"												
	12"	24.25"												
	16"	28.25"												
	18"	30.25"												
	20"	32.25"												
	24"	36.25"												
	30"	42.25"												
36"	48.25"													

Cylinder Size Ø Bore X Ø Rod	Stroke	L Closed Centers	Ø C mm	CB mm	Ø CD mm	CE mm	CS mm	CW mm	E mm	F mm	FL mm	RB mm	RW mm	Port Size*
2.0" X 1.25"	6"	18.25"	80	28.58	25.48	82.5	51	68	51	50.8	48	28	60	3/4" UNO
	8"	20.25"												
	12"	24.25"												
	16"	28.25"												
2.5" X 1.5"	18"	30.25"	80	28.58	25.48	82.5	51	68	51	50.8	48	28	60	3/4" UNO
	20"	32.25"												
	24"	36.25"												
	30"	42.25"												
	36"	48.25"												
48"	60.25"													

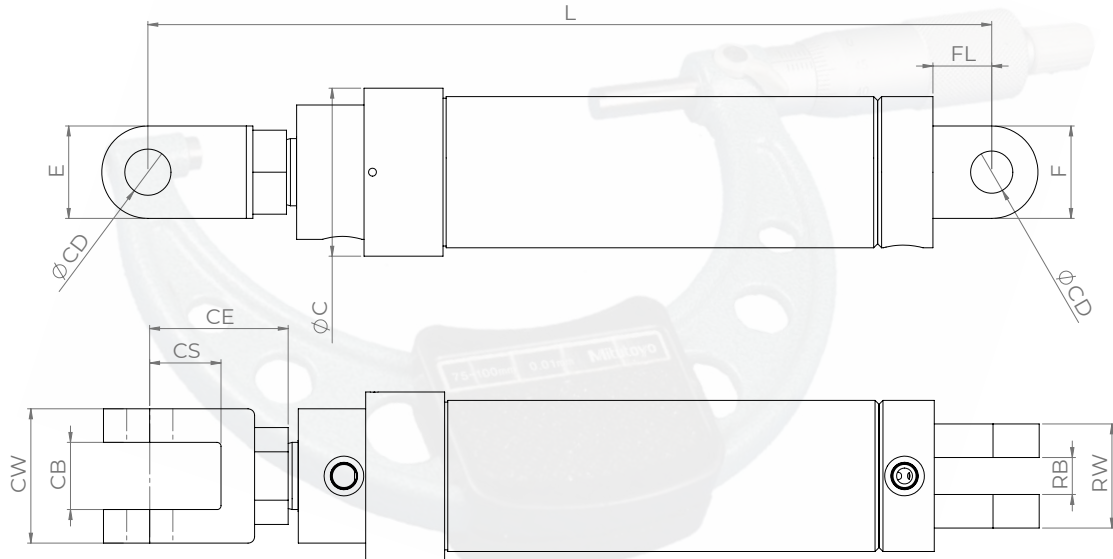
*BSPP PORTS AVAILABLE UPON REQUEST

E: admin@hydraulics.net.au www.hydraulics.net.au



CYLINDER DIMENSIONS

Ver 2.0



Cylinder Size Ø Bore X Ø Rod	Stroke	L Closed Centers	Ø C mm	CB mm	Ø CD mm	CE mm	CS mm	CW mm	E mm	F mm	FL mm	RB mm	RW mm	Port Size*
3.0" X 1.5"	6"	18.25"	95	28.58	25.48	82.5	51	68	51	50.8	48	28	60	¾" UNO
	8"	20.25"												
	12"	24.25"												
	16"	28.25"												
	18"	30.25"												
	20"	32.25"												
	24"	36.25"												
	30"	42.25"												
36"	48.25"													

Cylinder Size Ø Bore X	Stroke	L Closed Centers	Ø C mm	CB mm	Ø CD mm	CE mm	CS mm	CW mm	E mm	F mm	FL mm	RB mm	RW mm	Port Size*
3.5" X 1.5"	8"	20.25"	106	28.58	25.48	82.5	51	68	51	50.8	48	28	60	¾" UNO
	12"	24.25"												
	16"	28.25"												
	18"	30.25"												
	20"	32.25"												
	24"	36.25"												
	30"	42.25"												
	36"	48.25"												

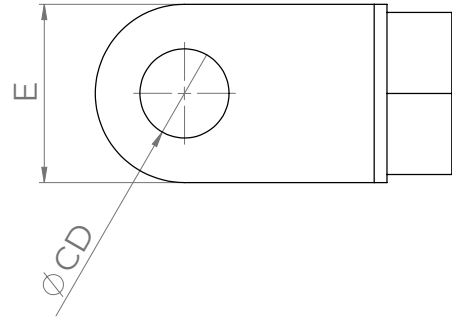
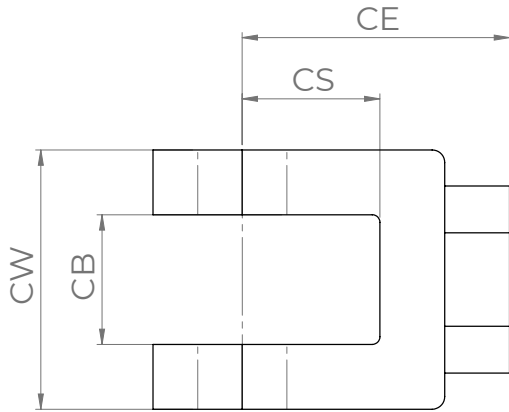
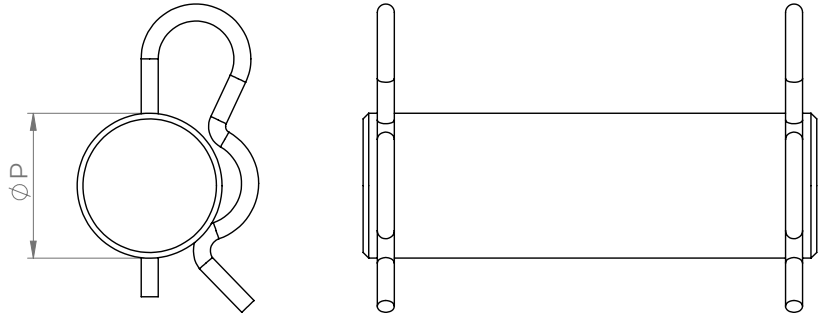
Cylinder Size Ø Bore X Ø Rod	Stroke	L Closed Centers	Ø C mm	CB mm	Ø CD mm	CE mm	CS mm	CW mm	E mm	F mm	FL mm	RB mm	RW mm	Port Size*
4" X 1.75"	8"	20.25"	125	28.58	25.48	82.5	51	68	51	50.8	48	28	60	¾" UNO
	12"	24.25"												
	16"	28.25"												
	18"	30.25"												
	20"	32.25"												
	24"	36.25"												
	30"	42.25"												
	36"	48.25"												

CLEVIS AND PIN DIMENSIONS

CLEVIS PIN

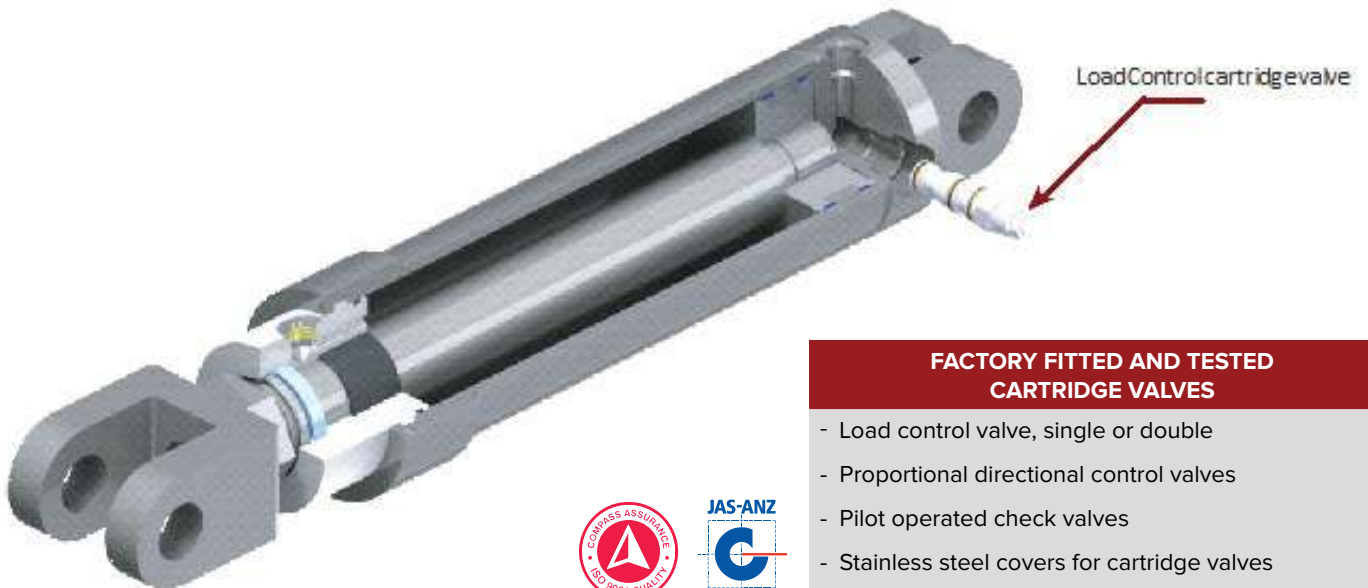
Ver 2.0

CYLINDER SIZE	PART NUMBER	Ø P
2.0" X 1.125"	APP-1000-SS	25.48
2.5" X 1.25"	APP-1000-SS	25.48
2.5" X 1.5"	APP-1000-SS	25.48
3.0" X 1.5"	APP-1000-SS	25.48
3.5" X 1.5"	APP-1000-SS	25.48
4.0" X 1.75"	APP-1000-SS	25.48



CLEVIS

	Part Number	Ø CD	CB	CE	CS	CW	E	Thread
2.0" X 1.125"	APP-800-SS	25.48	28.58	82.5	51	68	51	7/8" UNF 14
2.5" X 1.25"	APP-1000-SS	25.48	28.58	82.5	51	68	51	1" UNF 12
2.5" X 1.5"	APP-1250-SS	25.48	28.58	82.5	51	68	51	1 1/4" UNF 12
3.0" X 1.5"	APP-1250-SS	25.48	28.58	82.5	51	68	51	1 1/4" UNF 12
3.5" X 1.5"	APP-1250-SS	25.48	28.58	82.5	51	79	63	1 1/4" UNF 12
4.0" X 1.75"	APP-1500-SS	25.48	28.58	82.5	51	79	63	1 1/2" UNF 12



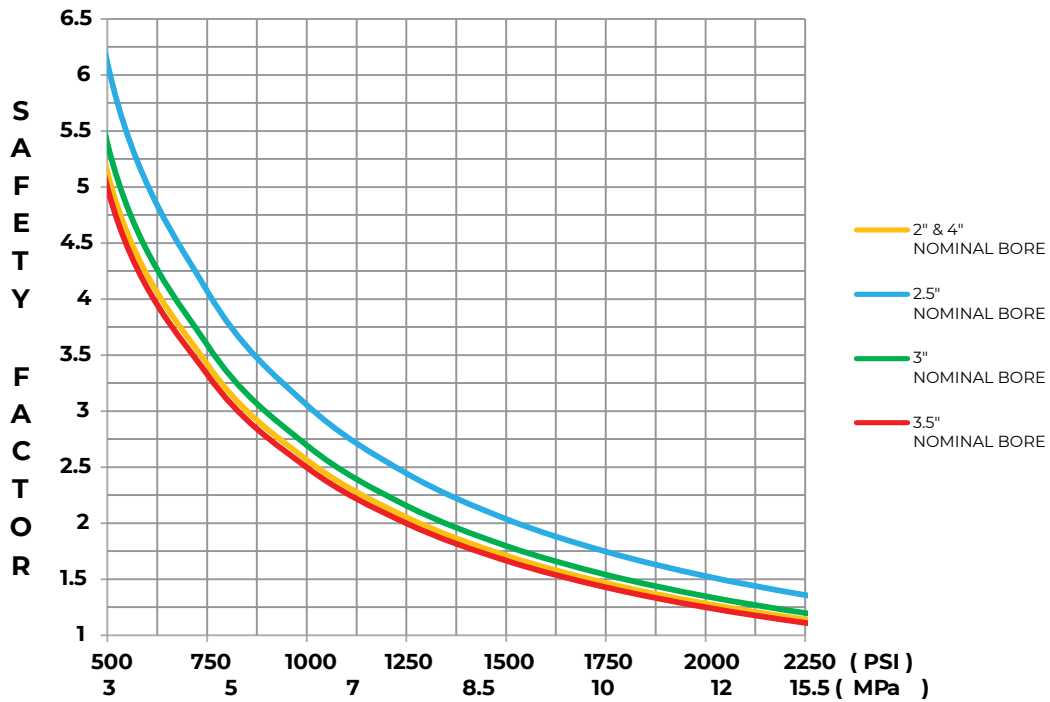
FACTORY FITTED AND TESTED CARTRIDGE VALVES

- Load control valve, single or double
- Proportional directional control valves
- Pilot operated check valves
- Stainless steel covers for cartridge valves

SAFETY FACTOR CHARTS

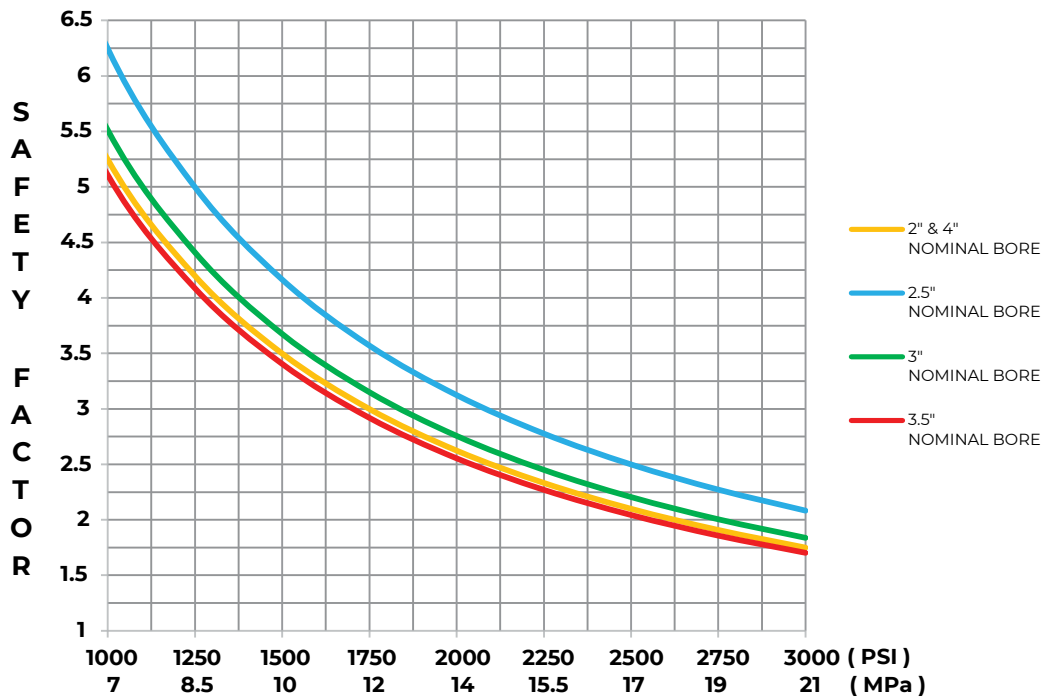
Ver 2.0

Model A2000



A2000 CYLINDER SAFETY FACTOR vs CYLINDER WORKING PRESSURE

Model A3000



A3000 CYLINDER SAFETY FACTOR vs CYLINDER WORKING PRESSURE

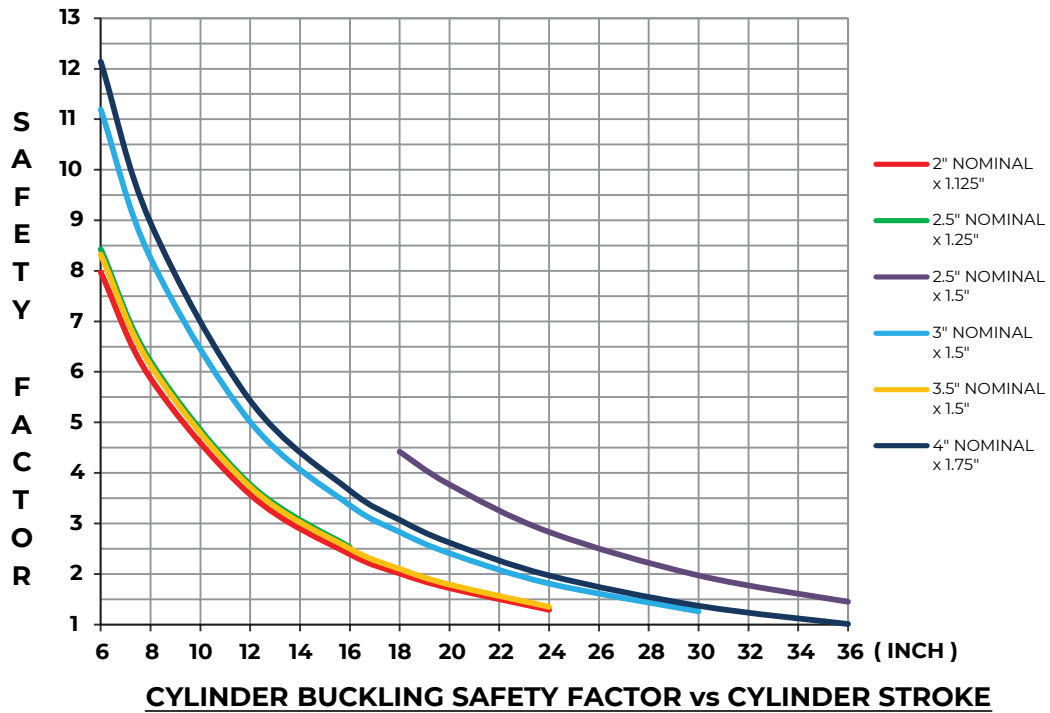


E: admin@hydraulics.net.au www.hydraulics.net.au

SAFETY FACTOR CHARTS

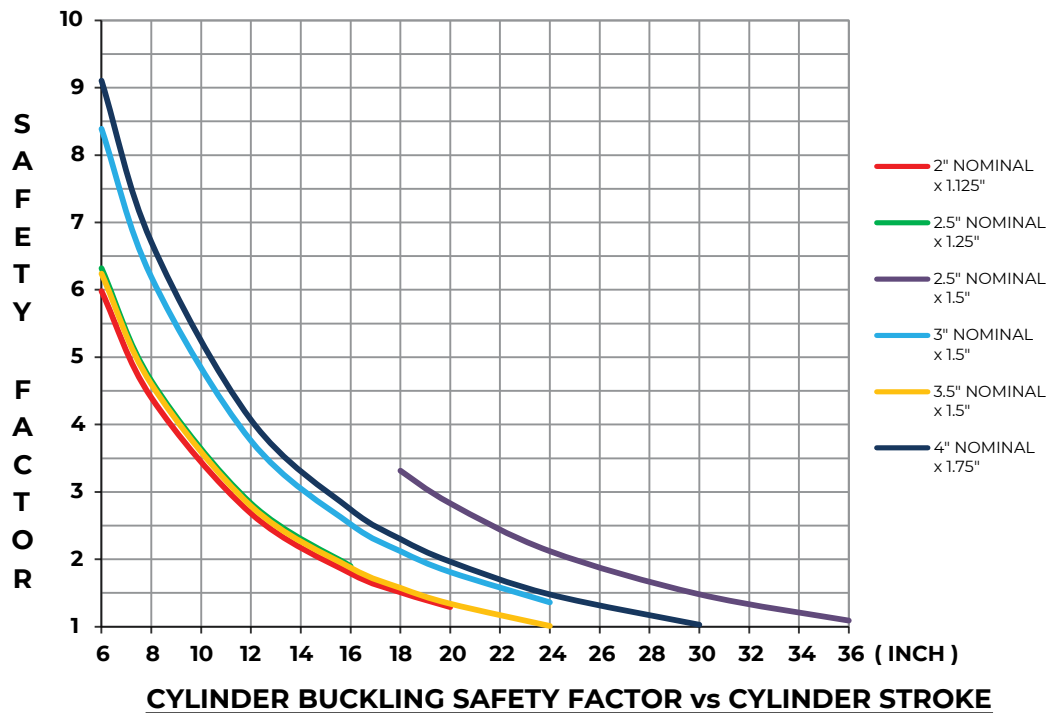
Ver 2.0

1,500 psi Working Pressure



1500 PSI WORKING PRESSURE

2,000 psi Working Pressure

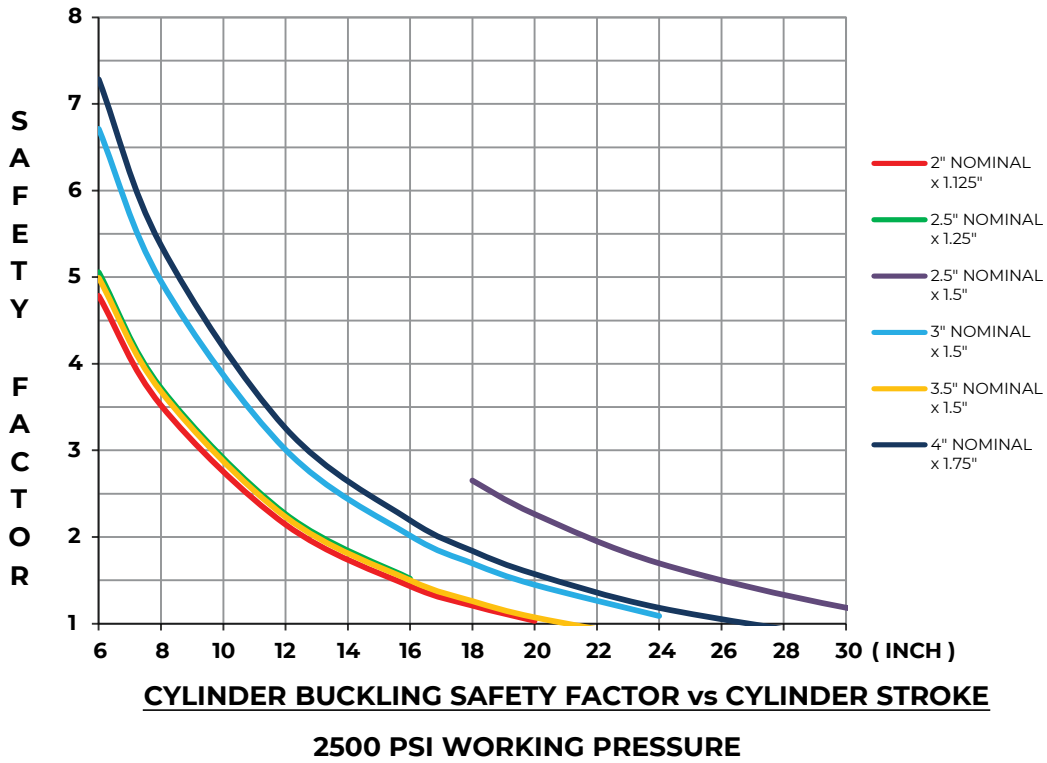


2000 PSI WORKING PRESSURE

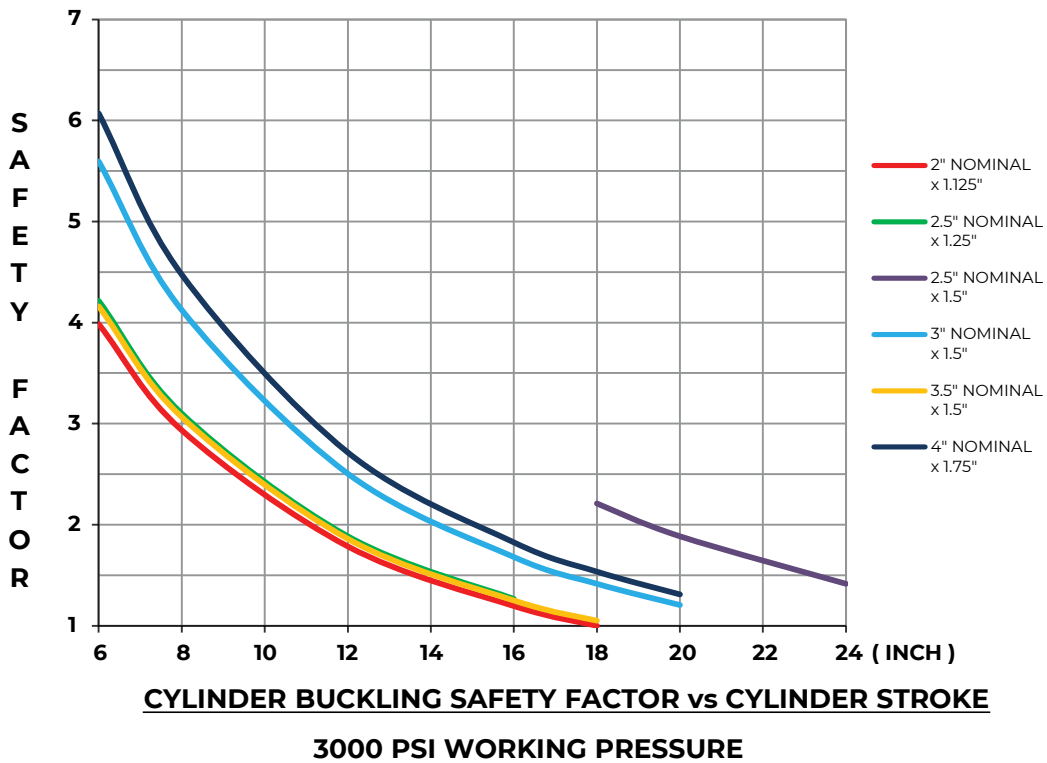


SAFETY FACTOR CHARTS

2,500 psi Working Pressure



3,000 psi Working Pressure

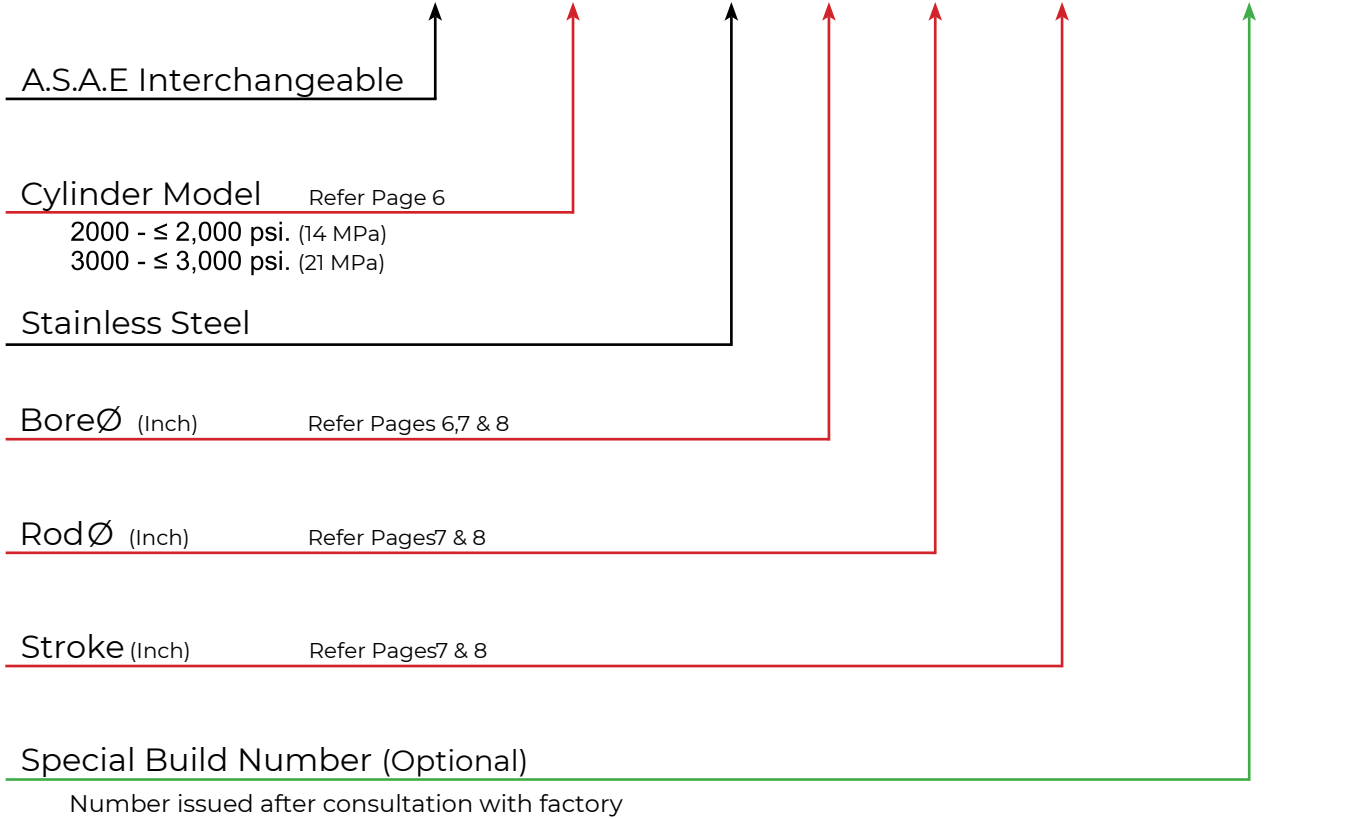


ORDERING CODE

When requesting a quote or ordering a hydraulic cylinder it is necessary to supply the factory with the below cylinder code. This will accelerate the quoting process and accurately define all aspects of the cylinder required. Custom cylinder requirements must be noted in full within your quote request and confirmed by the factory whom will then issue a unique SB (special build) number for inclusion in the ordering code.

CYLINDER ORDERING CODE

A - 3000 - SS - 4 - 1.5 - 16 - SB001



Summary of ordering code above

A Stainless Steel hydraulic cylinder which is interchangeable to A.S.A.E standards. The Bore size is 4.0" in diameter and the Rod size is 1.5" and the stroke is 16.0". An optional Special Build number has been used which would be issued from the factory after consultation on changes to the cylinder's standard specification.